

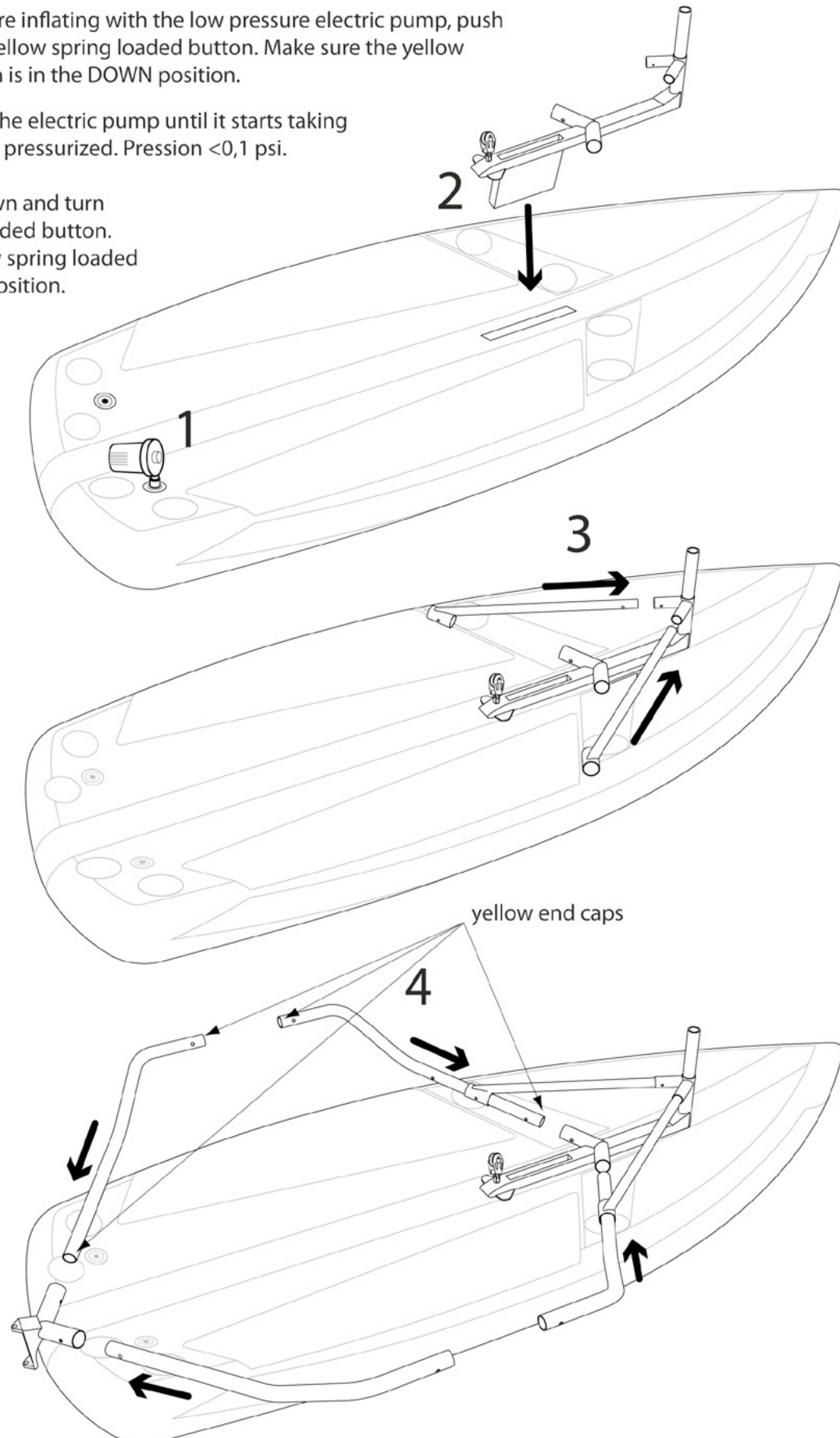
TIWAL CORP.
185 Alewife Brook Parkway
Cambridge , MA 02138
U.S.A.

ASSEMBLY

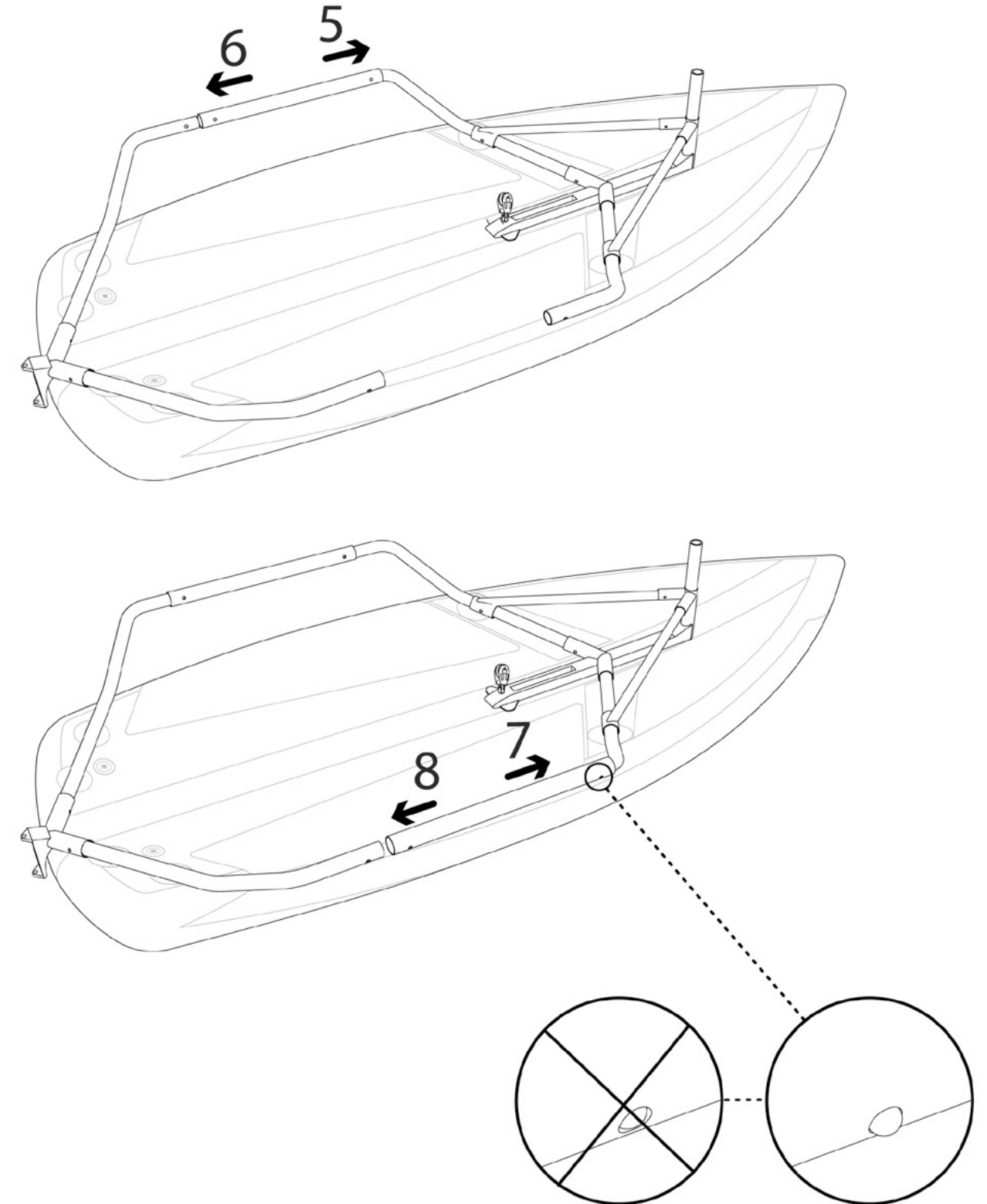
Open the valve. Before inflating with the low pressure electric pump, push down and turn the yellow spring loaded button. Make sure the yellow spring loaded button is in the DOWN position.

Inflate the hull with the electric pump until it starts taking shape without being pressurized. Pression <math><0,1\text{ psi}</math>.

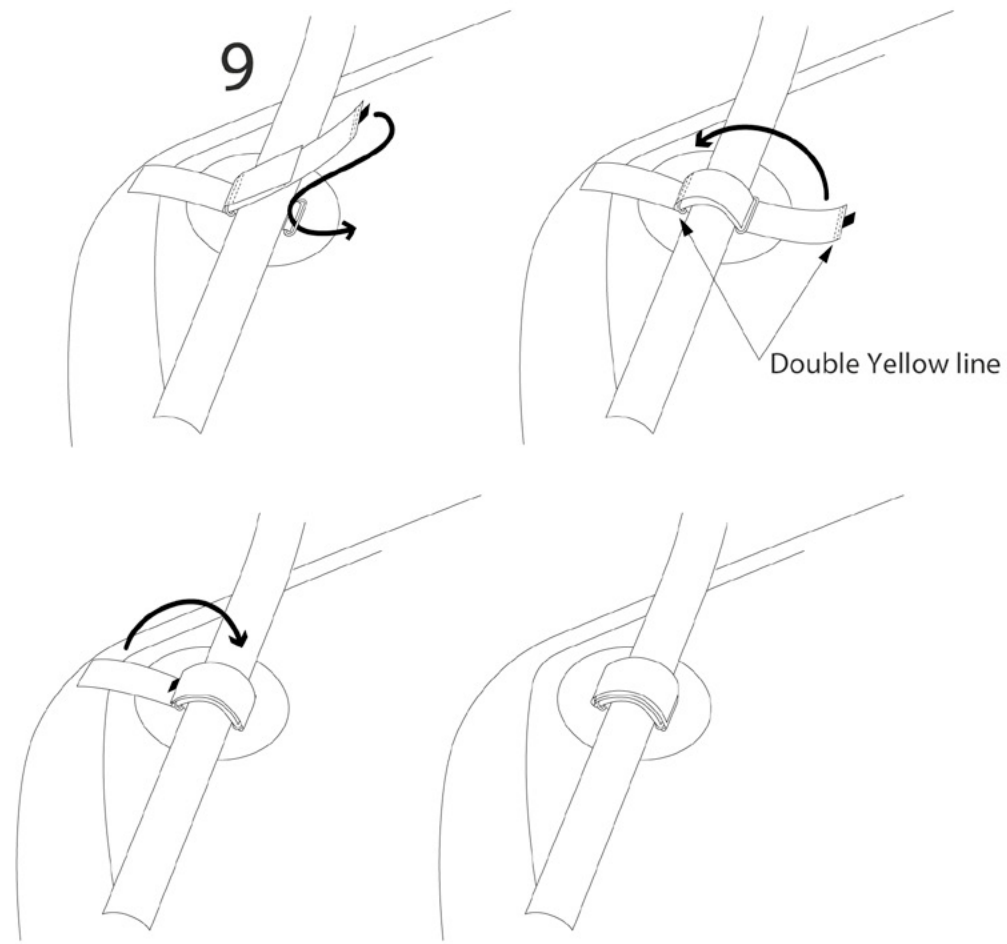
Then quick push down and turn the yellow spring loaded button. Make sure the yellow spring loaded button is in the UP position. The valve is closed.



ASSEMBLY

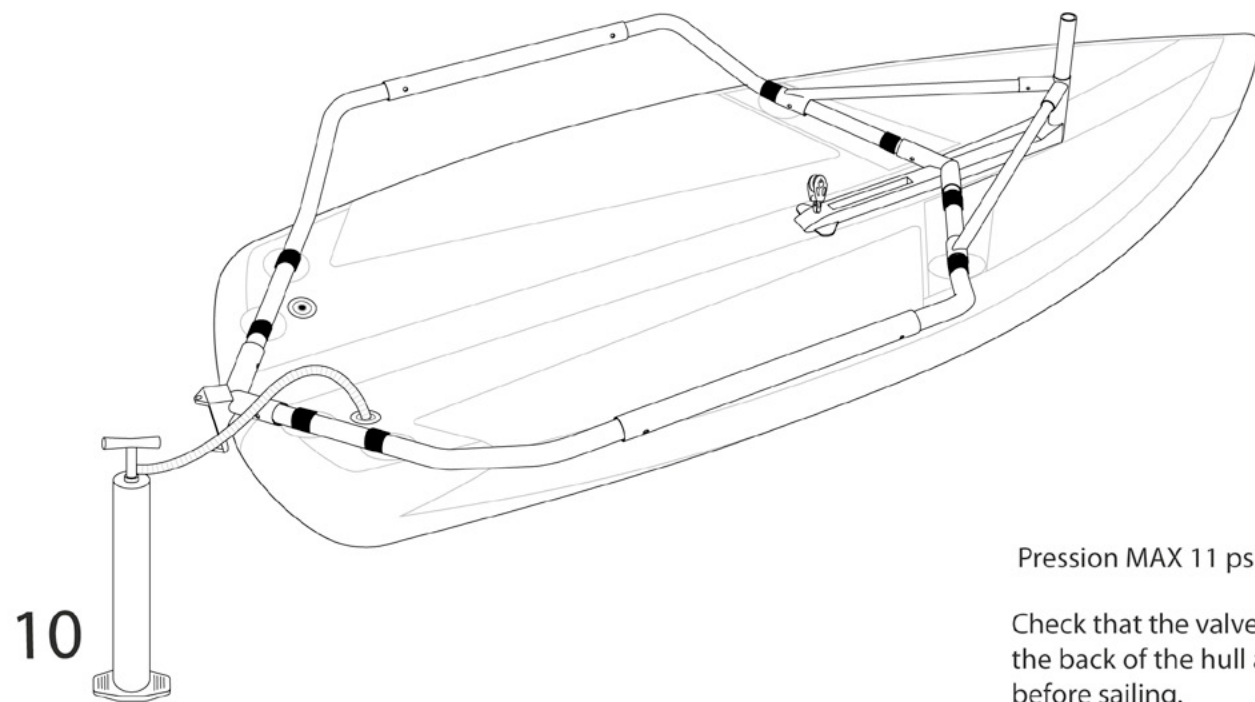


ASSEMBLY



Check that the transom is centered with the yellow band.

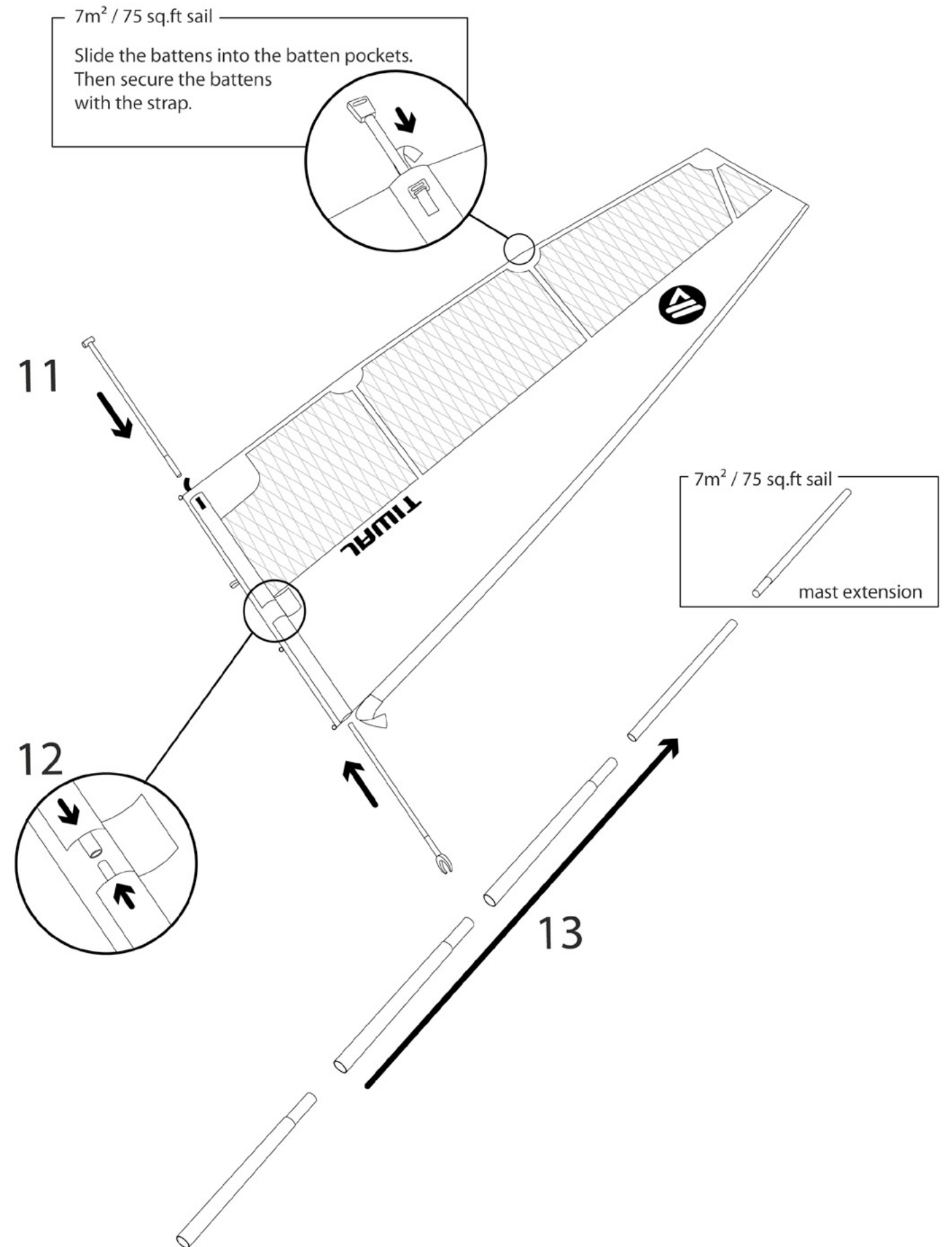
To inflate with the manual pump, keep the yellow spring loaded button in the UP position.



Pression MAX 11 psi

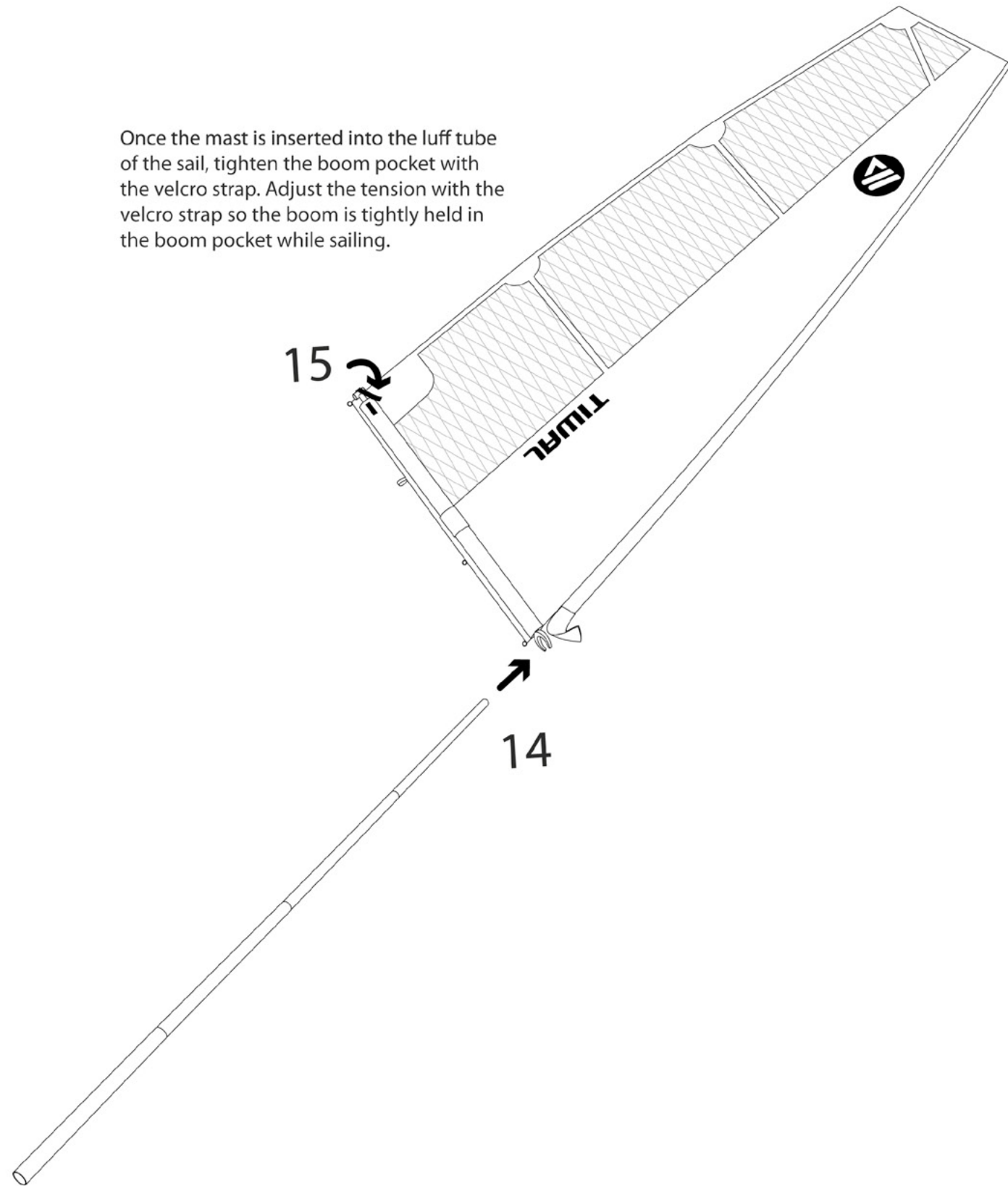
Check that the valves located at the back of the hull are closed before sailing.

ASSEMBLY

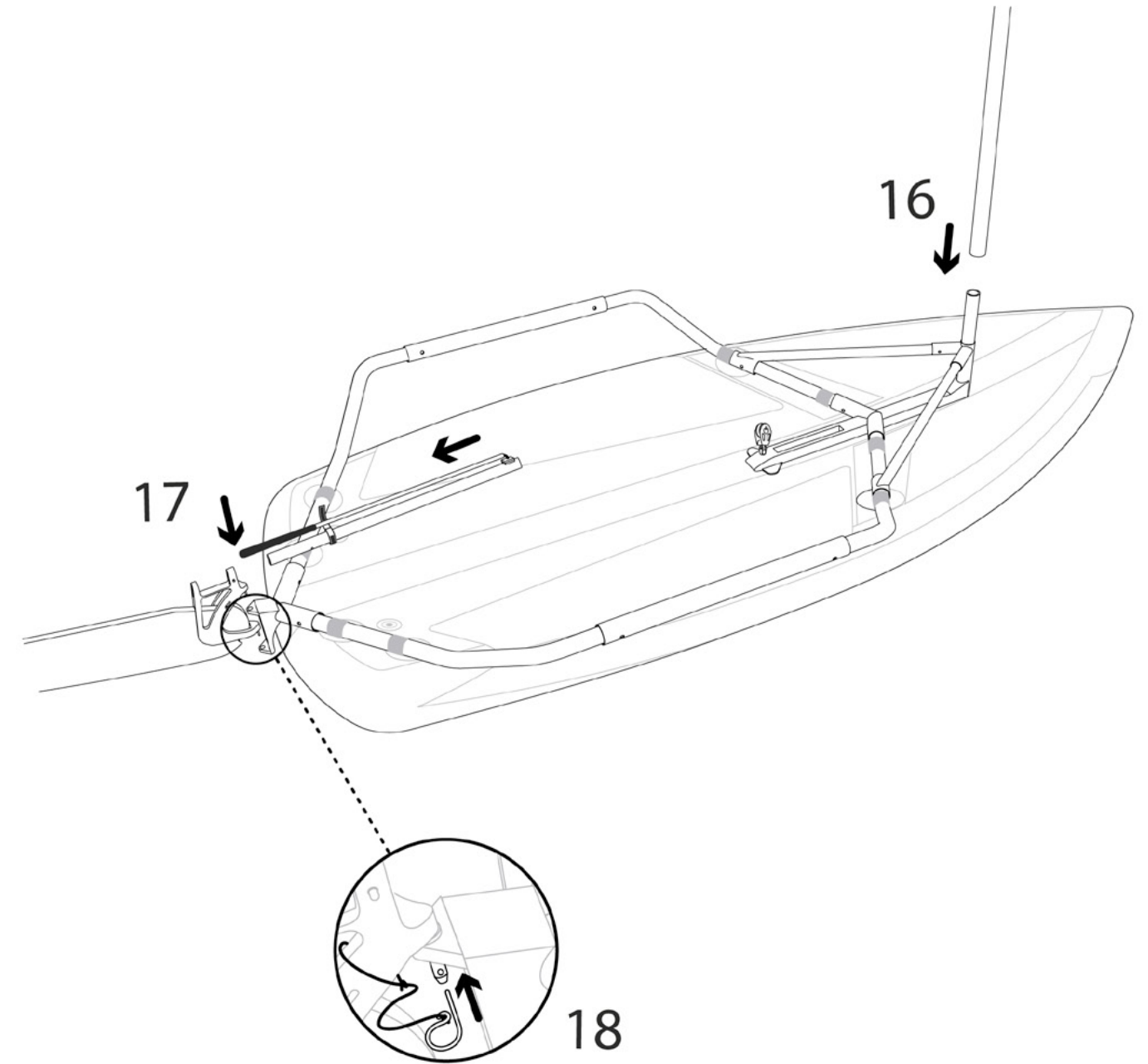


ASSEMBLY

Once the mast is inserted into the luff tube of the sail, tighten the boom pocket with the velcro strap. Adjust the tension with the velcro strap so the boom is tightly held in the boom pocket while sailing.

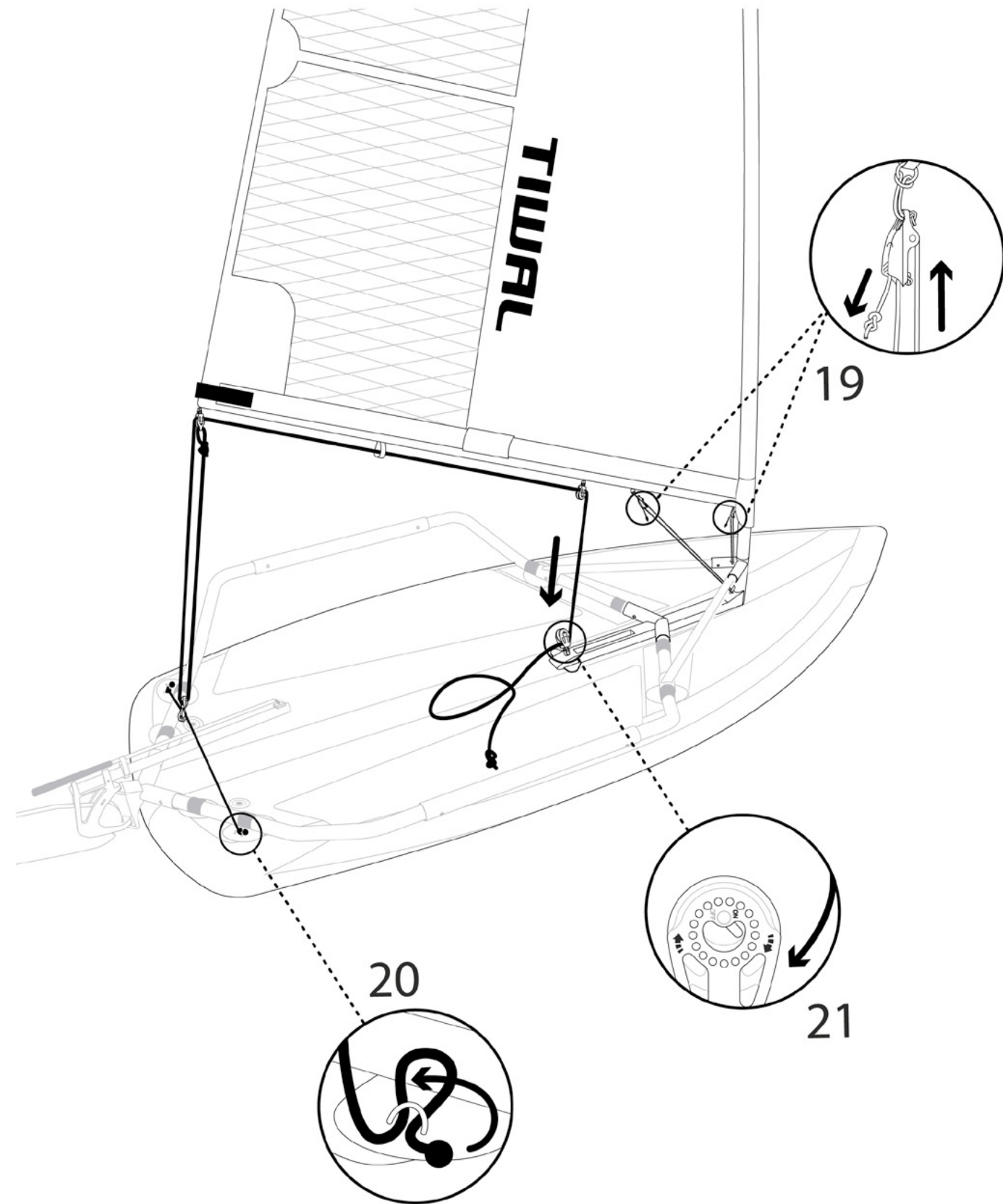


ASSEMBLY

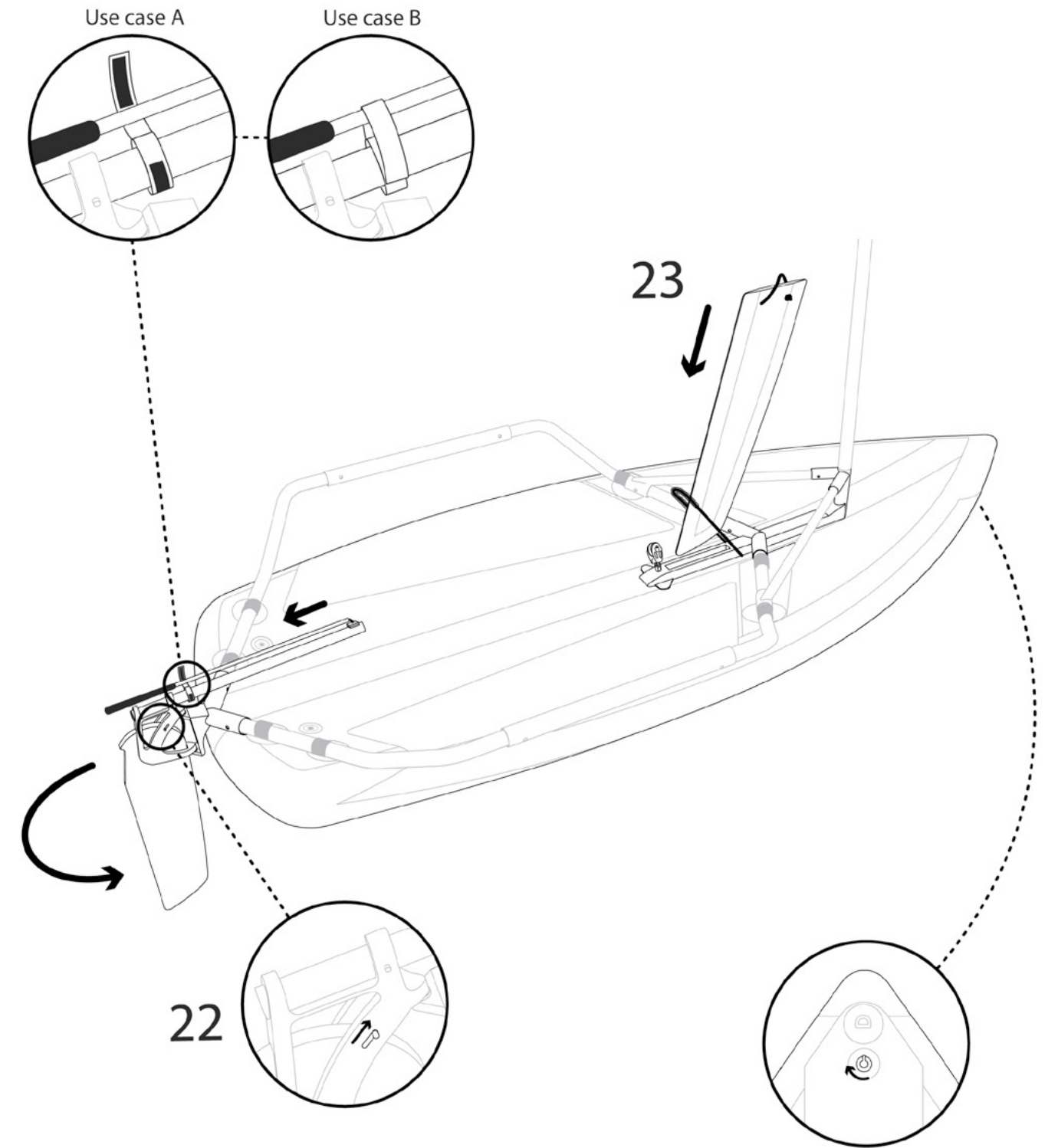


Before going sailing, make sure the safety pin is inserted in the hole of the rudder pintle (upper).

ASSEMBLY



ASSEMBLY



Make sure the drain valve is closed before putting the boat in the water.